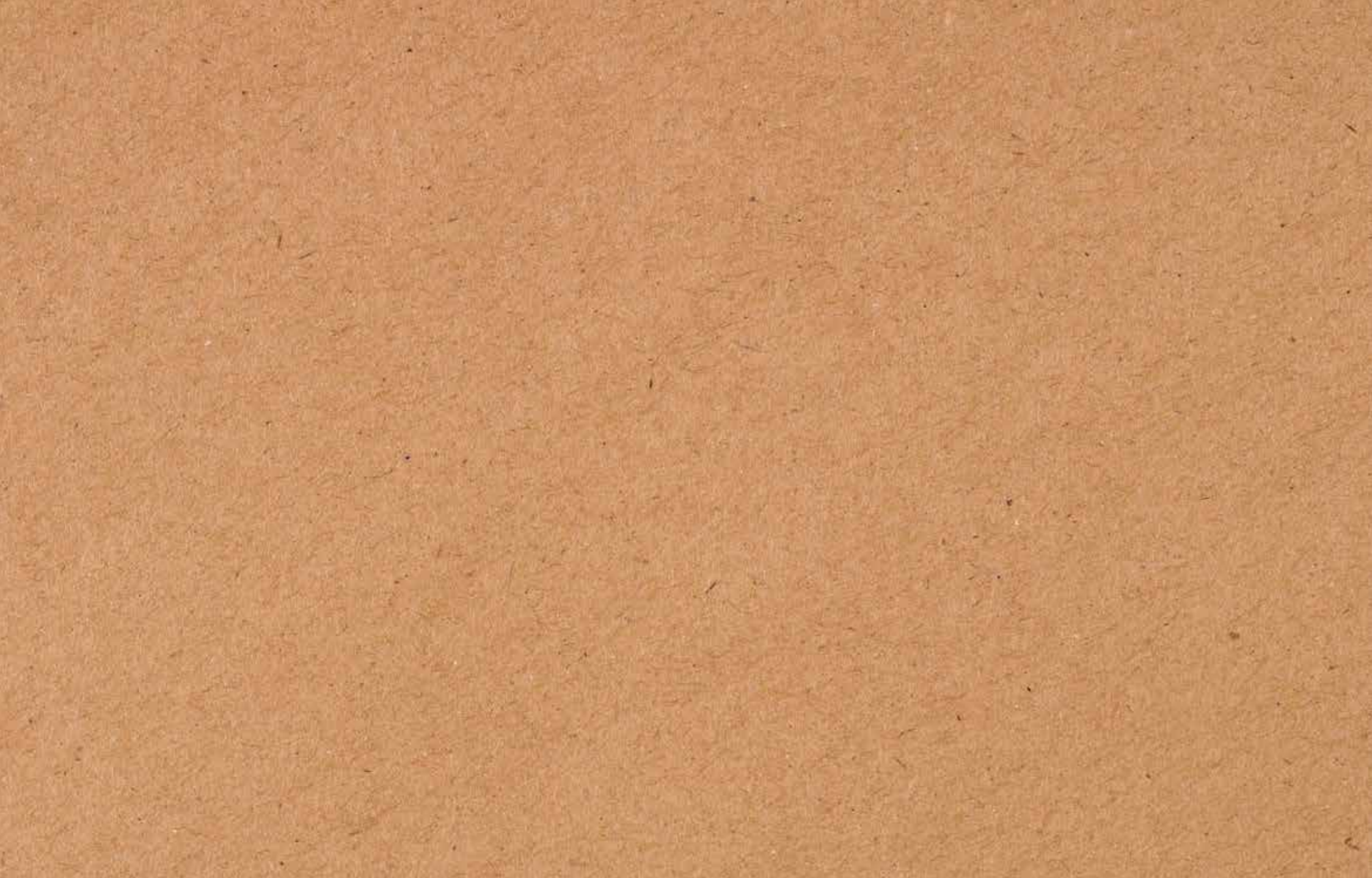


**BLUEWATER PRO
INSTALLATION
QUICK GUIDE**



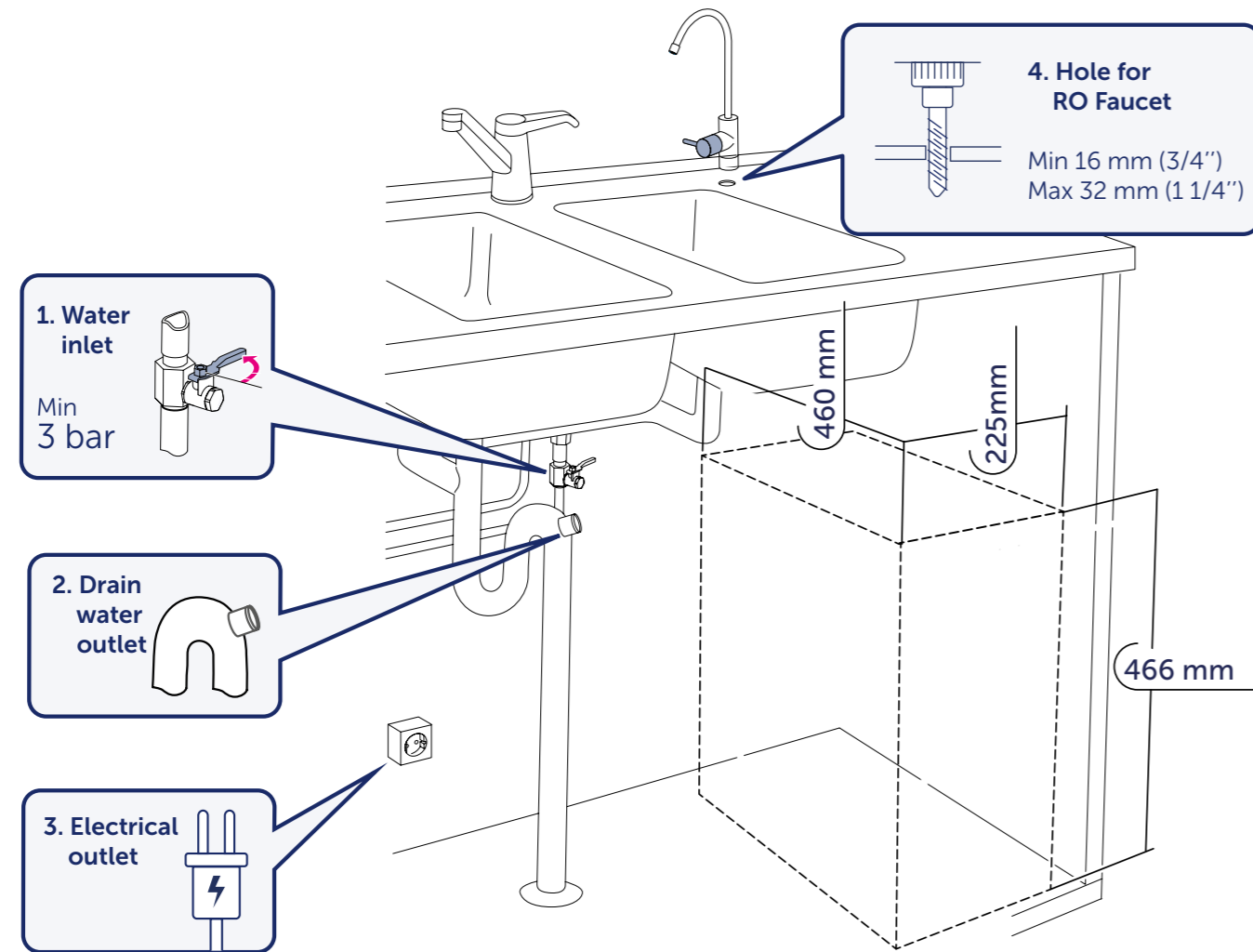
BLUEWATER



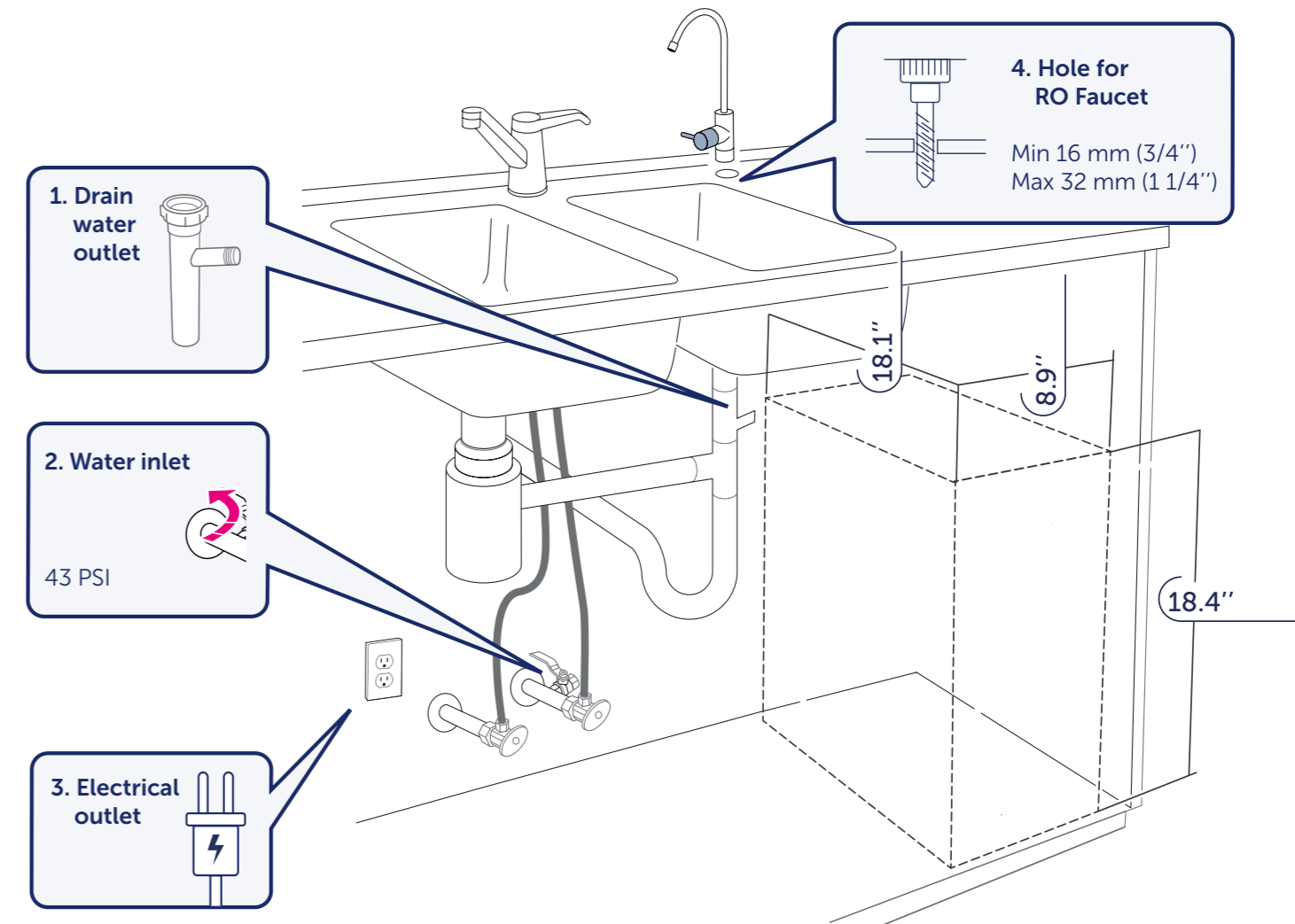
**BLUEWATER PRO
QUICK GUIDE**



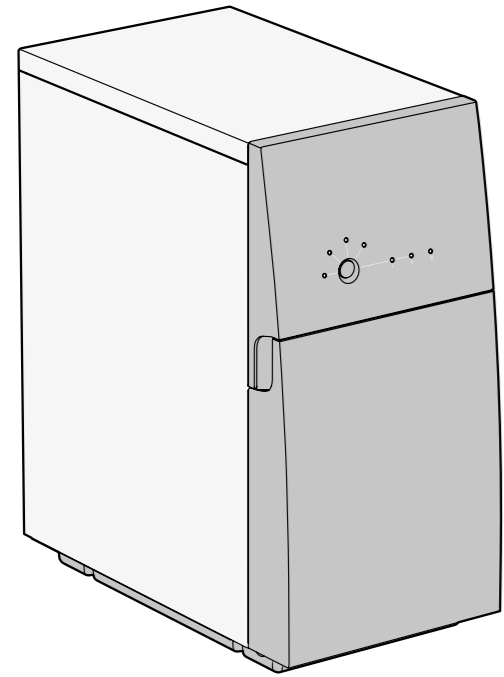
Preparation before installation:



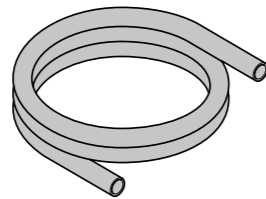
Preparation before installation US:



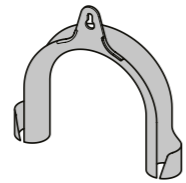
What is included



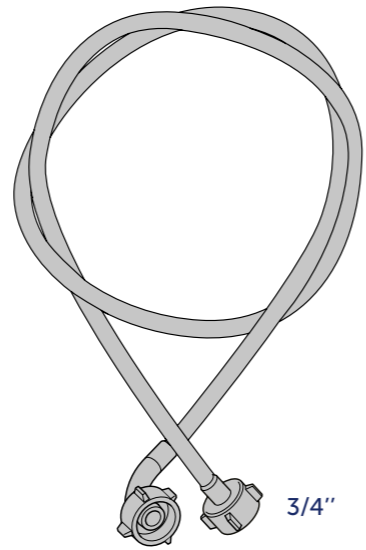
3 m
3/8"



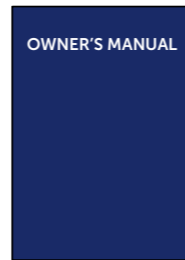
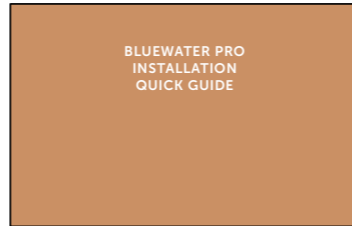
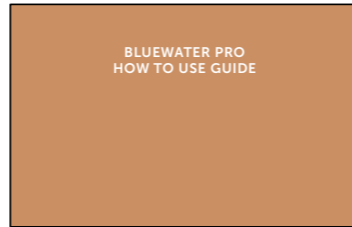
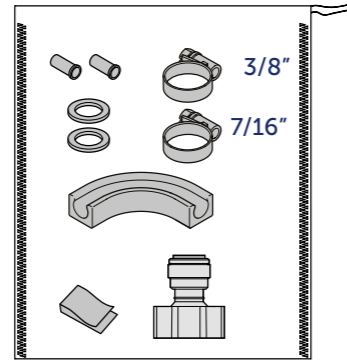
1,5 m



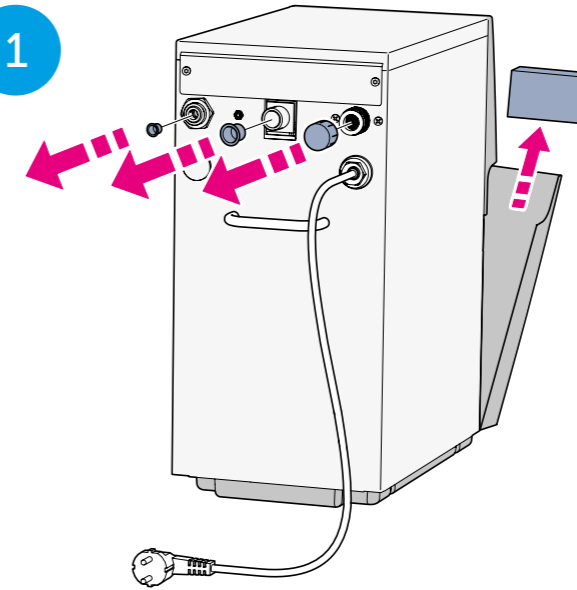
1,5 m



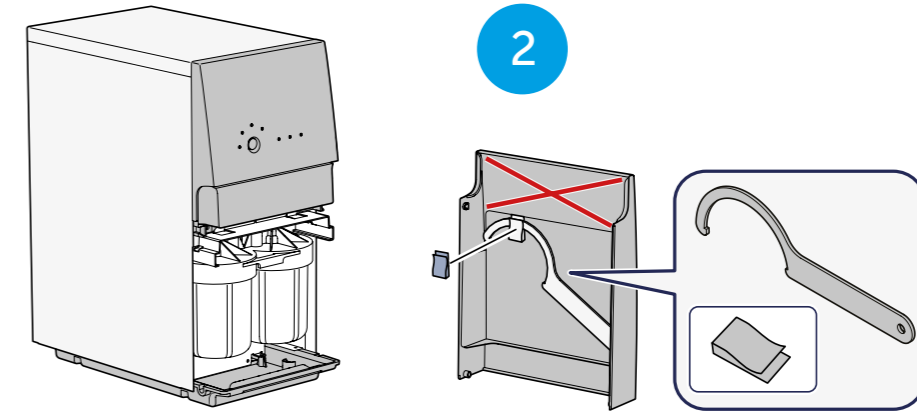
3/4"

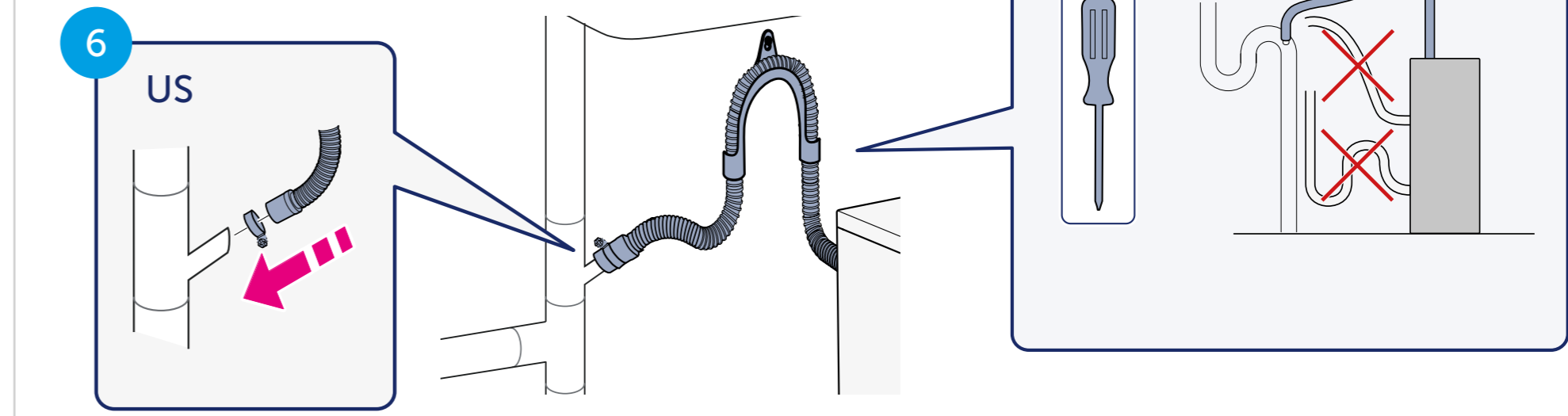
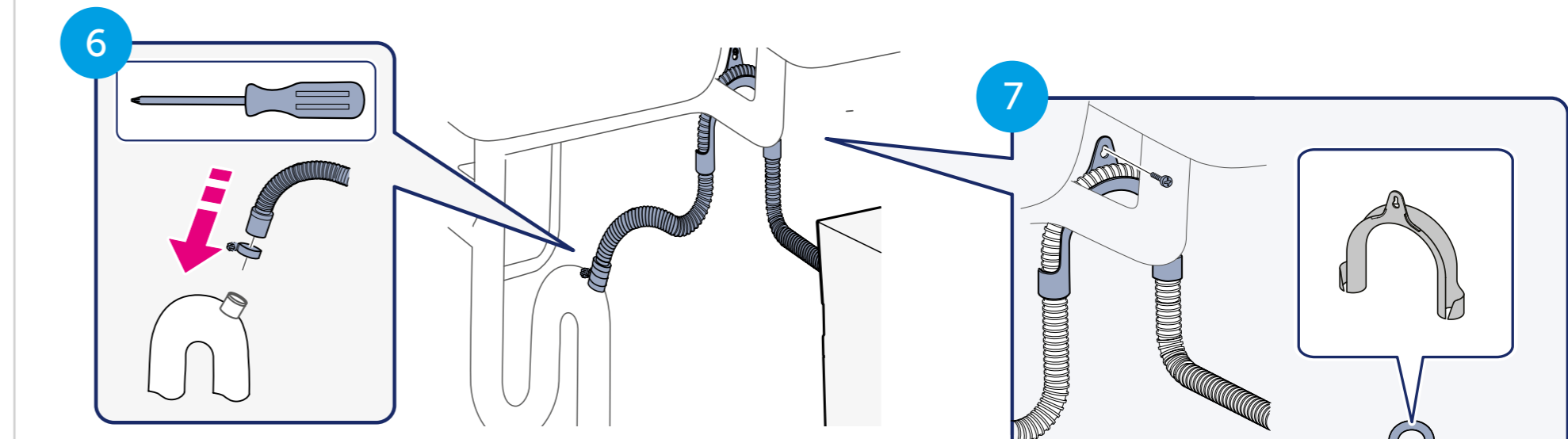
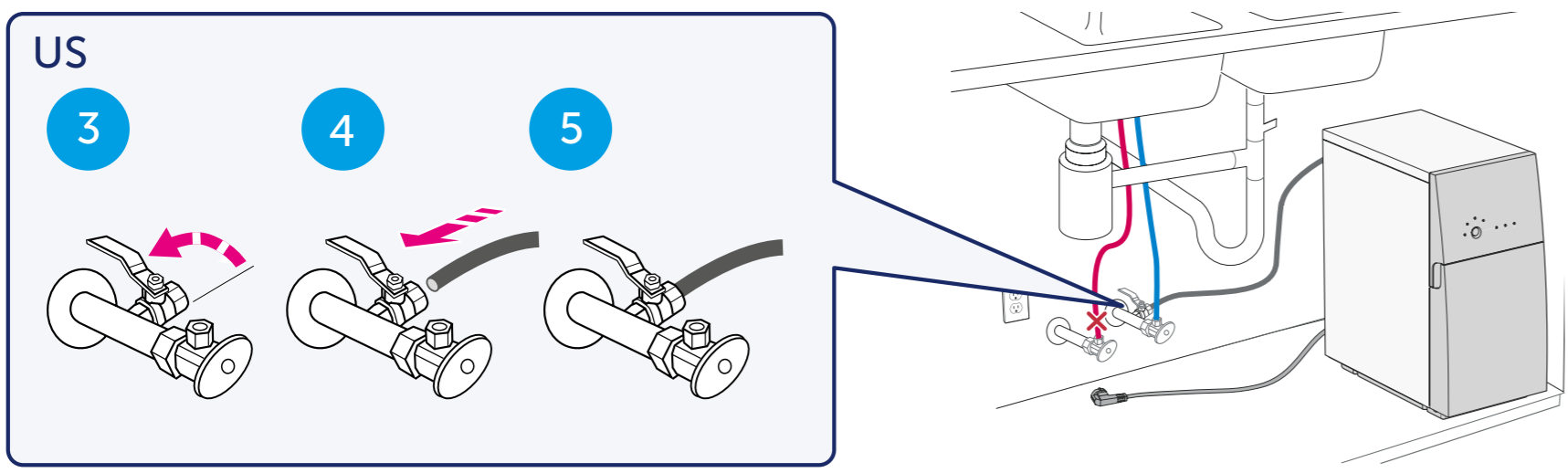
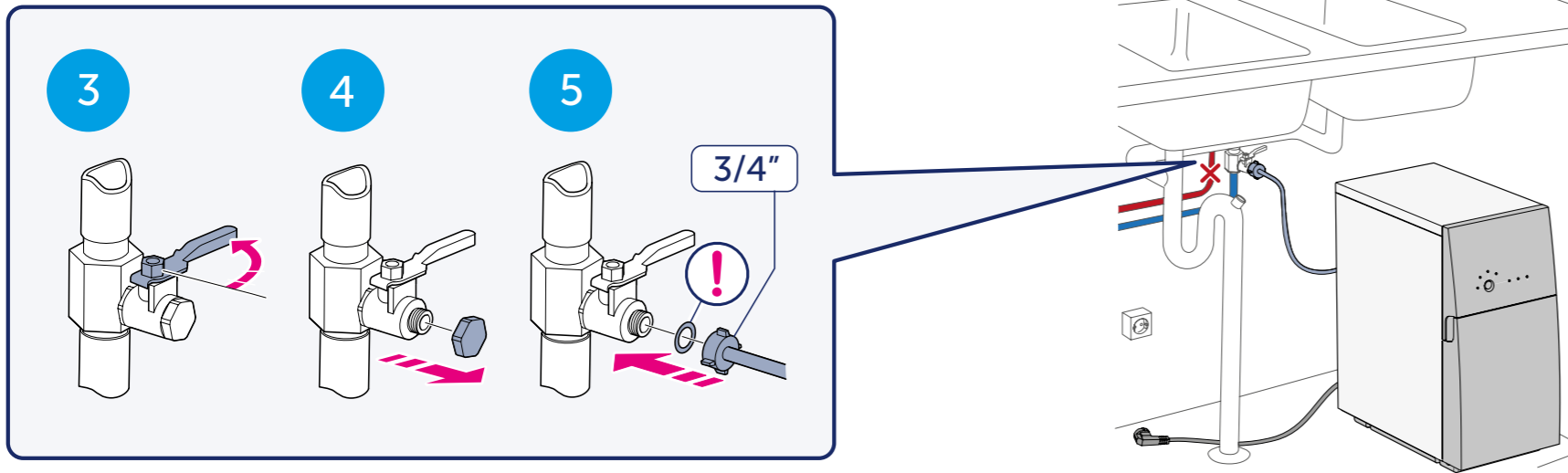


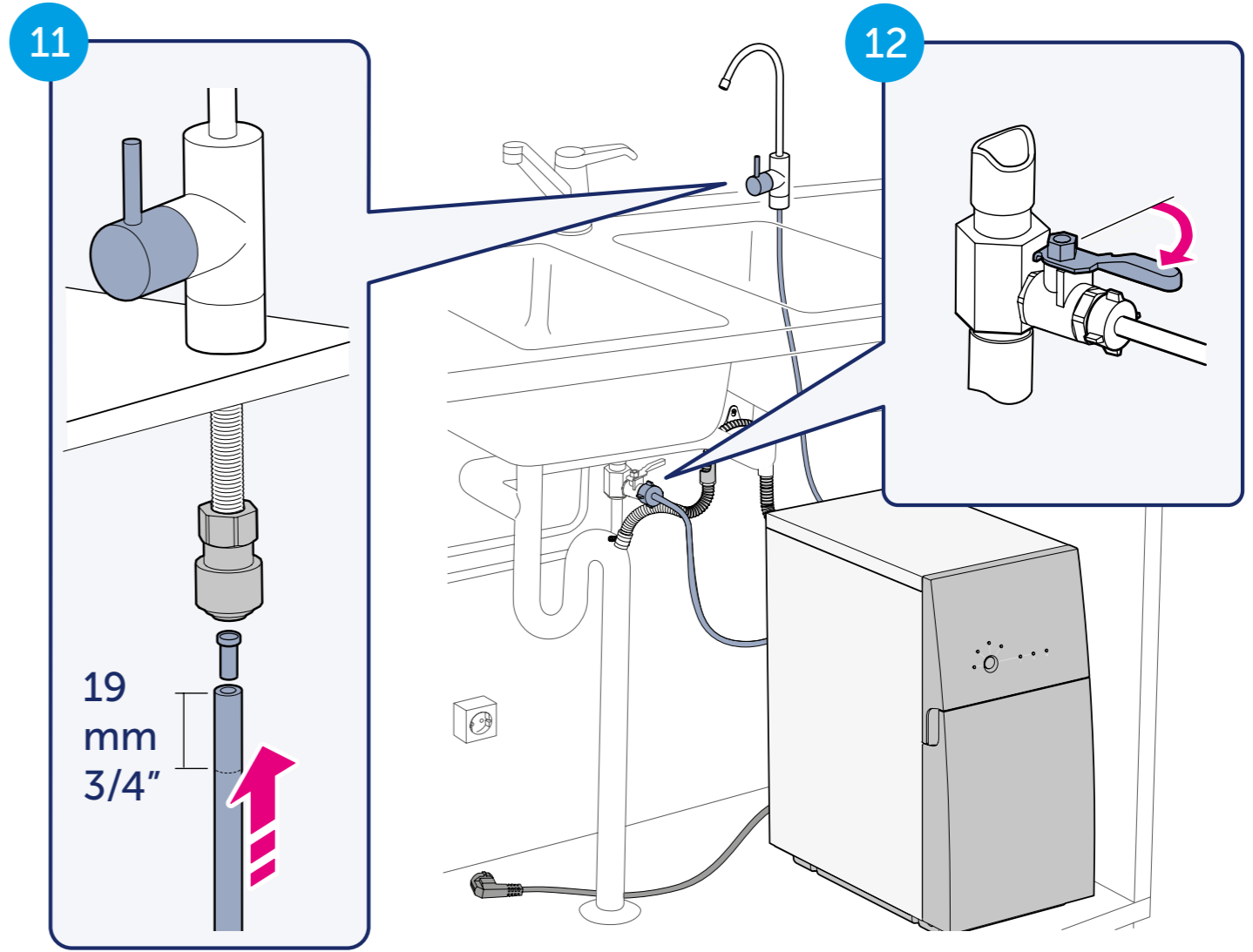
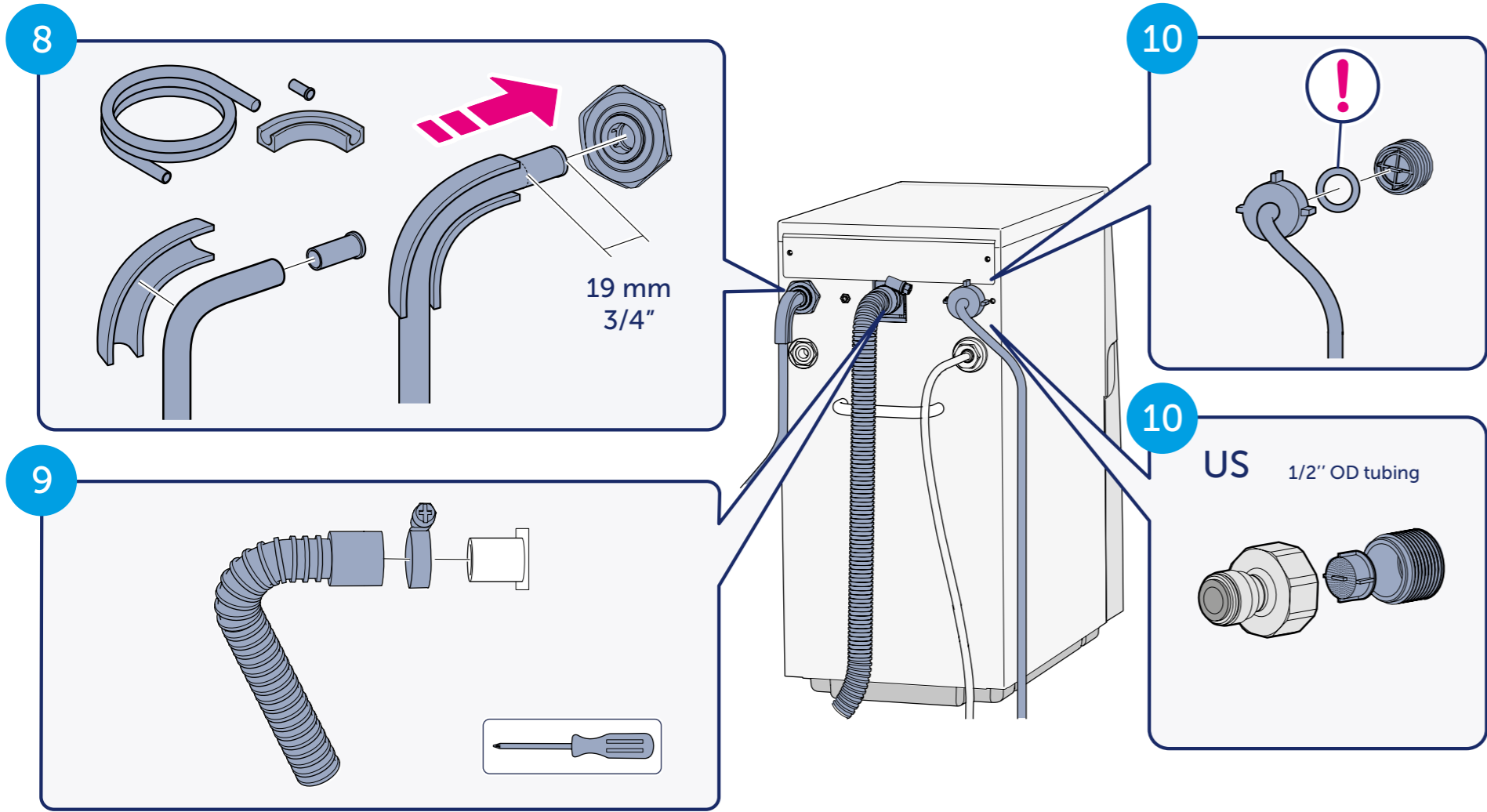
1



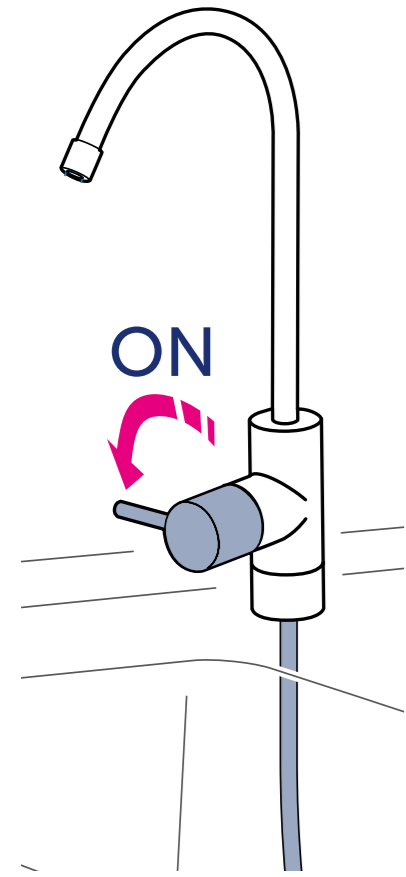
2



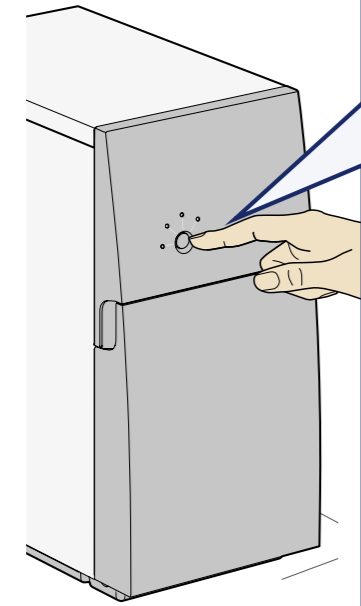




13



For more info



14

a

10 s

b

10 s

c

1 s

d

3 s



f

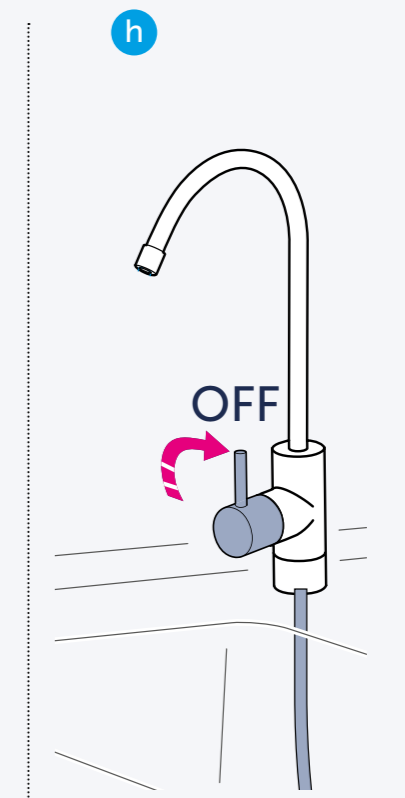
54 min

EMERGENCY STOP

10 s

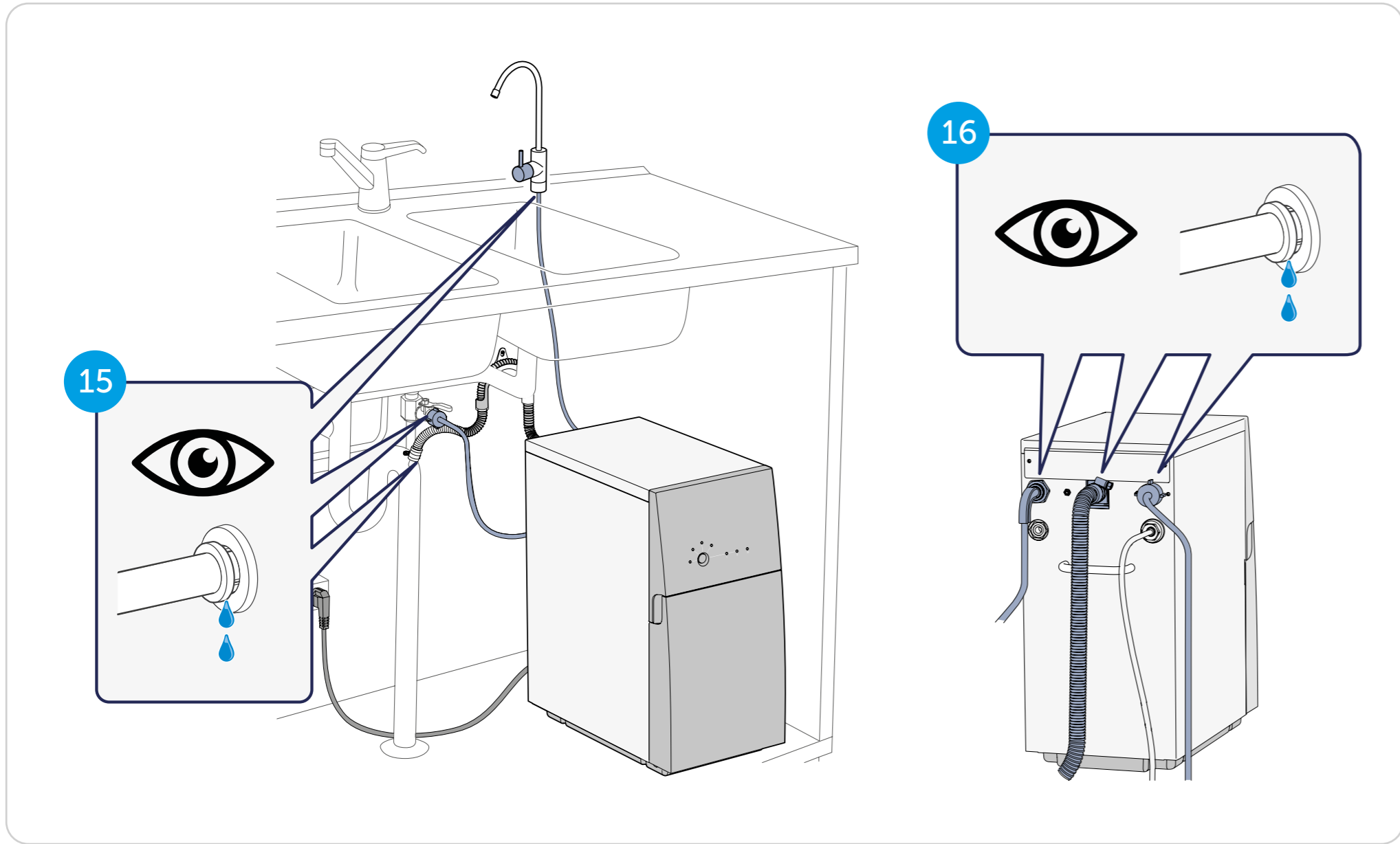
14

g



i

3 s



**FOR YOU &
OUR PLANET**



